



Color Beam 36

Waterproof IP68



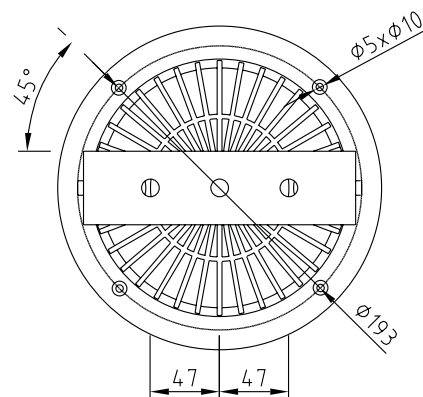
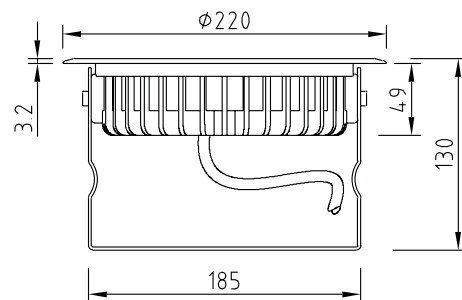
The DecaLED® Color Beam 36 is highly suitable for providing multicoloured lighting in wet environments such as fountains, ponds and swimming pools. The product can also be used in outdoor architectural applications.

The stainless steel (SUS316L) housing (IP68) of the DecaLED® Color Beam 36 has been specially designed to light objects in a wet environment. The combination of the 36 Luxeon 1W LEDs with the 10° lenses produces a strong, multicoloured, homogeneous light intensity with a range of 20 metres. The DecaLED® Color Beam 36 has a power consumption of 50W and can be connected to the DecaLED® High Power DMX Controller TV. Two of the six outputs on this controller are required for each DecaLED® Color Beam 36. The connecting cables are 5 metres in length. The optional mounting ring and well must be ordered separately.

Various accessories are available, including the stainless steel mounting ring and well.

The bracket, mounting ring and well provided can be used to install the DecaLED® Color Beam 36 in either the ground or on a wall. The DecaLED® Color Beam 36 is exclusively produced in RGB.

LagoLED® Color Beam 36	
Product specification	
Code	95530369
Description	Color Beam 36 RGB
Price	See pricelist
Voltage	24VDC
Current	2.1A
Power consumption	50W at full intensity (RGB)
Connection	2 pcs 6-pin connectors
Control	DecaLED® High Power DMX Controller TV
LED properties	36 x 1W Luxeon LEDs
Beam angle	10°
Colour range	RGB
Housing	Stainless steel with matte finish SUS316L
Operating temperature	-20°C to +60°C
Dimensions	300 x 188 x 200 mm
Weight	3300g
IP rating	IP68
Certification	CE



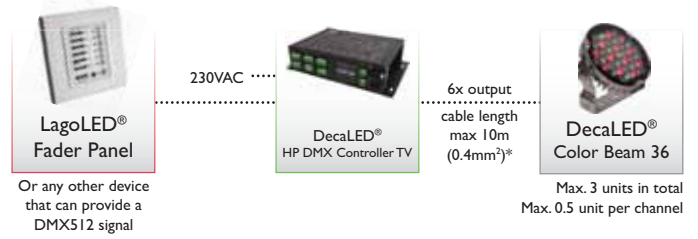
Accessories

Control	Mounting ring	Mounting well
HP DMX Controller TV	Mounting ring	Mounting well
95312351 115	95740441	95740440
See pricelist	See pricelist	See pricelist

Waterproof IP68

RGB

DecaLED® lighting products



* For installations that require longer cable lengths please contact your sales representative or calculate this using the product information



Visit www.lagotronics.com for additional information about this product.

Camping Beringerzand
Panningen, The Netherlands