



Color Spot 3

Waterproof IP67



DecaLED® Color Spot 3 Product specification

Color Spot 3 blue 3x3W	Color Spot 3 white 3x3W	Color Spot 3 amber, 24V 3x3W	Color Spot 3 warm white 3x3W
95520263	95520264	95520265	95520268
See pricelist	See pricelist	See pricelist	See pricelist

Color Spot 3 RGB, 24V 3x1W
95520269
See pricelist

	blue, white, warmwhite	amber	RGB
Voltage	230VAC	24VDC	24VDC
Current	0.1A		3x350mA
Power consumption	5W		5W
Connection	2-pin cable 3m		6-pin cable 3m
Control	On/off configuration		DecaLED® HP DMX Controller TV
LED properties	3x3W high power Luxeon LEDs		3x1W high power Luxeon LEDs
Beam angle	10°		20°
Colour range	blue, white, warm white, amber		RGB
Housing	Stainless steel frame and screws SUS316L		Stainless steel frame and screws SUS316L
Operating temp.	-10°C to +50°C		-10°C to +50°C
Storage temp.	-20°C to +70°C		-20°C to +70°C
Dimensions	105mm x 39mm		105mm x 39mm
Weight	700g		700g
IP rating	IP67		IP67
Certification	CE		CE

Accessories

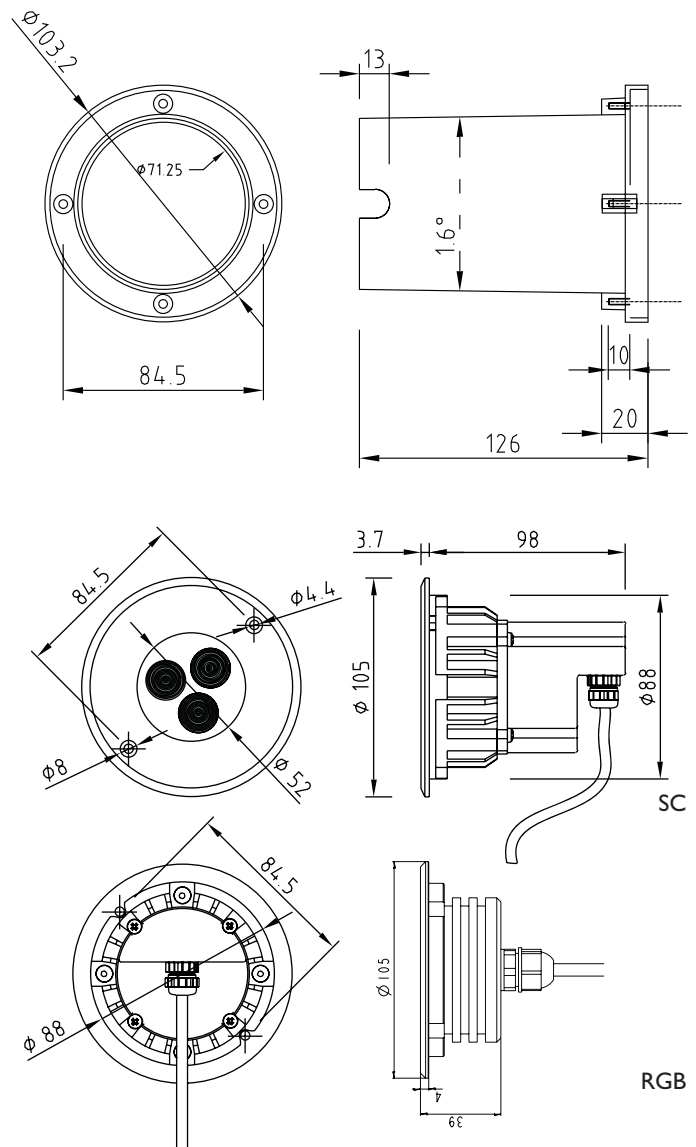
Control
HP DMX Controller TV
95312351 115
See pricelist

The DecaLED® Color Spot 3 is a single or multi-coloured built-in spot light for architectural applications in both indoor and outdoor projects. The DecaLED® Color Spot 3 is ideal for lighting walls, pillars and floors.

The DecaLED® Color Spot 3 is equipped with a stainless steel (SUS316L) housing and a plastic well. The result is a weather-resistant, waterproof (IP67) product. The single colour DecaLED® Color Spot 3 is equipped with three 3W K2 Luxeon LEDs, with a 10° lens. The RGB version is equipped with the same LEDs, with 15° lenses. The single colour DecaLED® Color Spot 3 has an energy consumption of approximately 4W and operates on 230VAC. The DecaLED® High Power DMX Controller TV is required to control the RGB version. A maximum of 6 units may be connected to each output. The DecaLED® Color Spot 3 is supplied with a 3 metre cable as standard.

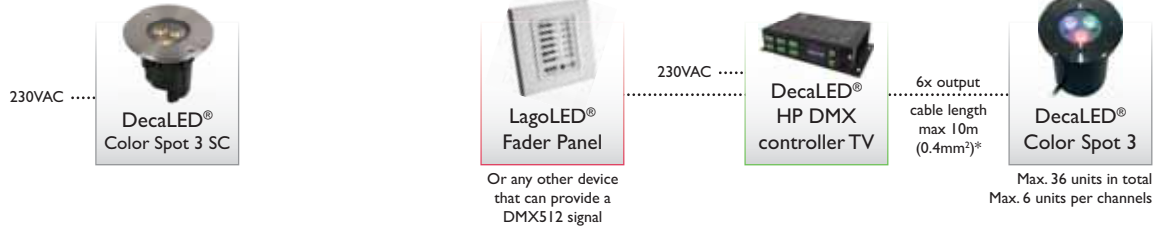
The DecaLED® Color Spot 3 is supplied inclusive of the casing. No further accessories are available for this product.

The DecaLED® Color Spot 3 is available in cool white, warm white, blue, amber and RGB. Variations with regard to the lens are available upon request.



- Waterproof IP67
- Single colour
- RGB

DecaLED® lighting products



* For installations that require longer cable lengths please contact your sales representative or calculate this using the product information



Visit www.lagotronics.com for additional information about this product.

Wijnfort
Lent, The Netherlands