



# Color Wash 6

Waterproof IP65



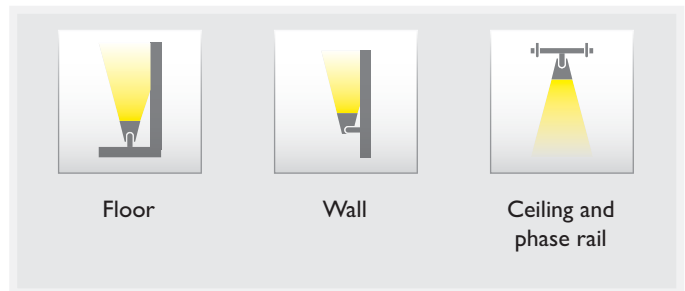
The DecaLED® Color Wash 6 is a small, robust and waterproof (IP65) fitting, which is particularly suitable for both indoor and outdoor architectural applications. This product is highly suitable for lighting façades.

The DecaLED® Color Wash 6 is equipped with a waterproof (IP65) aluminium housing. The six 3W Cree LEDs emit an intense, homogeneous light and have a power consumption of 18 Watts. The 25x45° lenses offer a broad, shallow beam angle, making this product ideal for lighting walls up to eight metres high. The DecaLED® Color Wash 6 requires a supply voltage of 230VAC and cannot be dimmed.

There are a variety of installation options. The bracket is graduated and can be used for wall, ceiling and floor installation. The ability to combine the DecaLED® Color Wash 6 with a 1 or 3 phase adapter to allow for mounting on a 1 or 3 phase spotlight rail means that the product is fully universal.

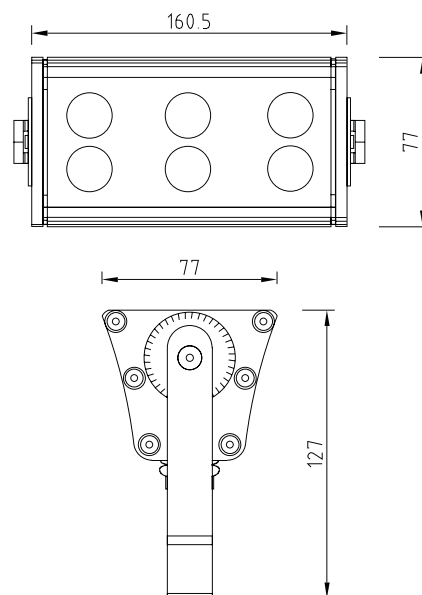
The DecaLED® Color Wash 6 is available in cool white, warm white and blue. Other colours are available on request.

## Mounting options

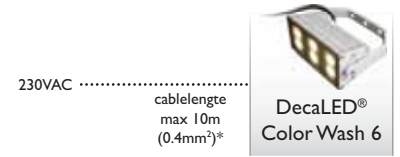
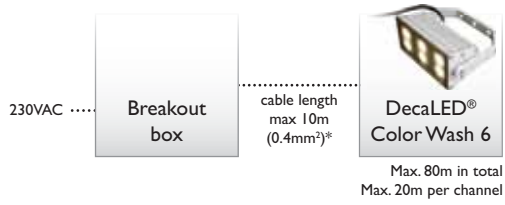


### DecaLED® Color Wash 6 Product specification

			
	95120943	95120944	95120948
	Color Wash 6 blue	Color Wash 6 cool white	Color Wash 6 warm white
	See pricelist	See pricelist	See pricelist
Voltage	230V	230V	230V
Current	0.1A	0.1A	0.1A
Power consumption	18W	18W	18W
Housing	Aluminium	Aluminium	Aluminium
Beam angle	25x45	25x45	25x45
LED properties	500mA	P4	P2
LED colour	Blue	Cool white	Warm white
Colour temp.	N/a	6500K	3600K
Light intensity	N/a	840	643
Weight	1.06kg	1.06kg	1.06kg
IP rating	IP65	IP65	IP65



- Waterproof IP65
- Single colour
- Indoor usage
- Outdoor usage



\* For installations that require longer cable lengths please contact your sales representative or calculate this using the product information



Visit [www.lagotronics.com](http://www.lagotronics.com) for additional information about this product.

Chateau Jemeppe  
Jemeppe, België