



Cove Flex SC SE

Waterproof IP55



DecaLED® Cove Flex SC SE

Product specification	
Voltage	24VDC
Current	150mA p/m
Max. chainable	20m
Current at max. chain	3A
Power consumption	3.6W p/m
Power consumption at max. chain	72W
Control	DecaLED® Controller 3 / Controller 3 Mini Controller 4
Max. per controller	Depends on colour, max 80m/28m/80m
Max. per output	Depends on colour, max 6m/6m/12m
Max. per PSU 24V 80W	22m
Max. per PSU 24V 300W	80m
LED properties	35 LEDs p/m
Colour temp.	Cool white: 5000K, Warm white: 3000K
Ambient temperature	-20°C tot 40°C
Dimensions	12 x 6mm
Weight	100g p/m, reel length: 30m
Info	Cuttable in 20cm sections

Accessories

Controller 3 95350244 109 See pricelist	Controller 3 Mini 95350246 111 See pricelist	Controller 4 95350245 113 See pricelist	Dimmer 12/24VDC 95390361 117 See pricelist
PSU 24VDC Various 122 See pricelist	Starter cable 1m 95747301 See pricelist	Link cable 40cm 95747305 See pricelist	Mounting clip 95747505 See pricelist
Inline connector 95747805 See pricelist	End cap 95747800 See pricelist	Mounting profile 1m 95747506 See pricelist	

DecaLED® Cove Flex SC is a flexible, single colour, waterproof LED tube, which is primarily suitable for front-lit curved surfaces such as in walls with integrated cove lighting.

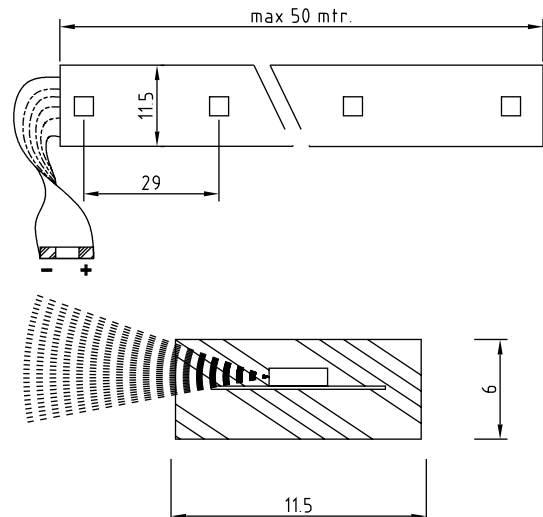
DecaLED® Cove Flex SC SE comprises 35 SMD LEDs per metre and is fully sealed in a transparent, UV and IR-resistant strip. The result is a bendable, impact-resistant, maintenance-free and waterproof (IP55) product, with a beam angle of 105° and a power consumption of 3.6W/m. These 24VDC strips measure 12 x 6mm (h x w) and they can be daisy chained up to a maximum length of 6 metres per channel when using the DecaLED® Controller 3, and up to a maximum of 12 metres per channel when using the DecaLED® Controller 4. When installing on a 24VDC power supply, you must take into account the maximum load of the power supply and allow for a maximum daisy chain length of 20 metres.

We have various accessories available in stock, including starter and link cables, inline connectors and mounting clips. Upon request, the DecaLED® Cove Flex SC SE can be fitted into the 20 or 40mm DecaLED® Universal Profile. The DecaLED® Dimmer for 12/24V is available for the single colour version. Further information on this product can be found on page 117.

The DecaLED® Cove Flex SC SE is supplied in various colours, including red, green, blue, amber, warm white and cool white. An RGB version of this product is also available and can be found on page 41.

DecaLED® Cove Flex SC SE

Product specification			
95168241	95168242	95168243	95168244
Cove Flex SC SE red	Cove Flex SC SE green	Cove Flex SC SE blue	Cove Flex SC SE cool white
See pricelist	See pricelist	See pricelist	See pricelist
95168245	95168248		
Cove Flex SC SE amber	Cove Flex SC SE warm white		
See pricelist	See pricelist		

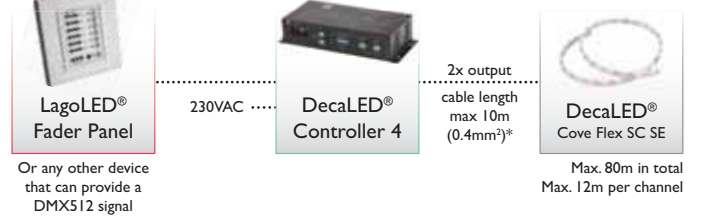
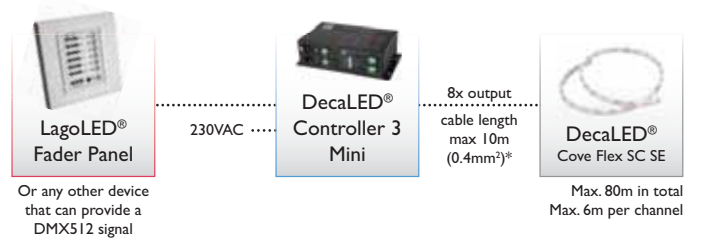
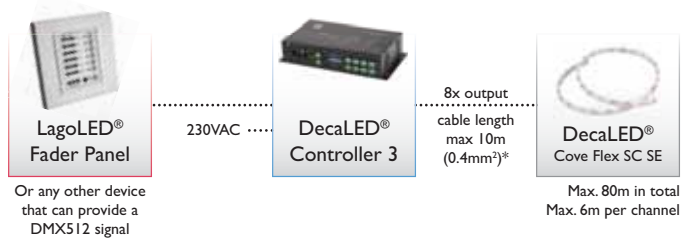


Waterproof IP55

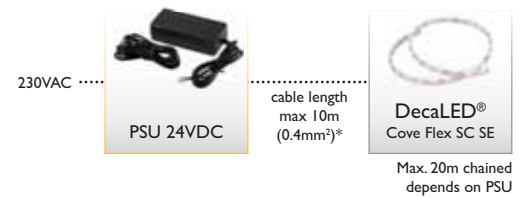
Single colour

Demo set page 126

Dimmable



Non-dimmable



* For installations that require longer cable lengths please contact your sales representative or calculate this using the product information



Visit www.lagotronics.com for additional information about this product.

Trespa
 Weert, The Netherlands