



# Dot 6

## Waterproof IP65



The DecaLED® Dot 6 is an active, multicoloured, waterproof, spherical LED light spot that is frequently used in both indoor and outdoor applications, including star ceilings, interactive façades and contour lighting.

The DecaLED® Dot 6 is highly suitable for mounting on either the wall or ceiling or for integration into the floor. The DecaLED® Dot 6 comprises 6 RGB-SMD LEDs and is equipped with a waterproof housing. The DecaLED® Dot 6 has a beam angle of 180° and a power consumption of 2W p/s. It measures 50x62mm (Ø x h) and must be connected to a 12VDC and direct DMX. A maximum of 30 active DecaLED® Dot 6 systems can be connected to each output on a LagoLED® USB-i 505. The DecaLED® Dot 6 cannot be assigned a fixed start address. The DecaLED® Dot 6 systems are assigned a number automatically, starting with DMX address 1, as soon as they are connected to a 24VDC.

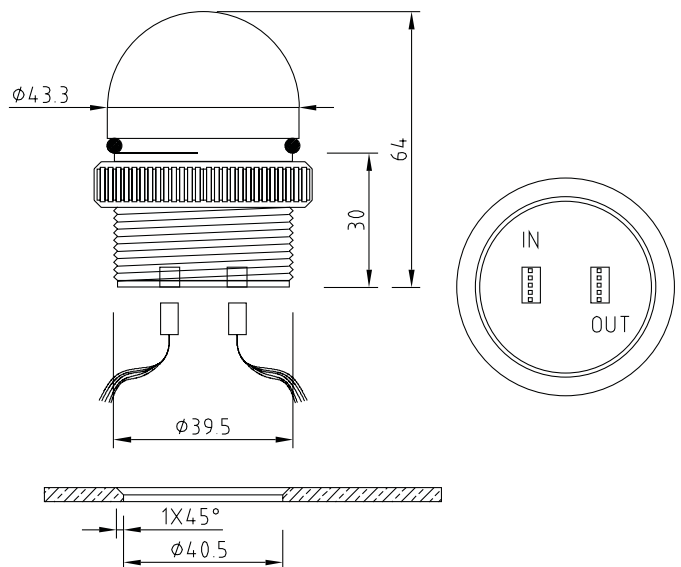
Various accessories, including waterproof starter cables, link cables and 24VDC waterproof power supplies are available to order.

In addition to the waterproof DecaLED® Dot 6, we also offer 2 types of DecaLED® Dot for indoor applications. The DecaLED® Dot, a passive 'dot', and the active DecaLED® Dot DMX. You can find these products on pages 47 and 49.

### DecaLED® Dot 6

#### Product Specification

Code	95130249
Description	DecaLED® Dot 6
Price	See pricelist
Voltage	24VDC
Current	70mA
Power consumption	1.7W
Max. chainable	30
Current at max. chain	2.1A
Power consumption at max. chain	51W
Control	LagoLED® USB-i 505
Max. per controller	120
Max. per output	30
LED properties	6 RGB SMD LEDs
Colour range	Full RGB (16.7 million colours)
Housing	Opaque, UV-resistant polycarbonate
Ambient temperature	-10°C to +50°C
Opslagtemperatuur	-20°C to +70°C
Dimensions	50x62 mm (Ø x H)
Weight	65g
IP rating	IP65



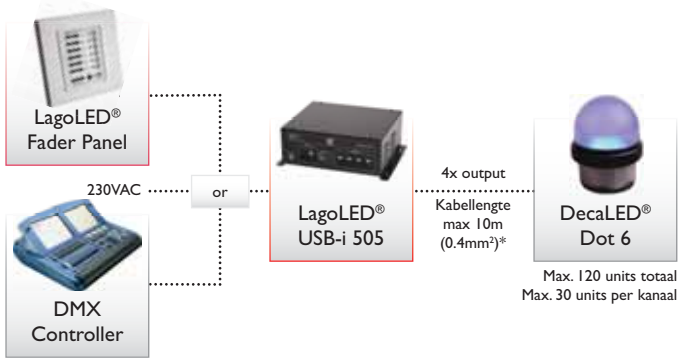
### Accessories

Control	PSU	Cabling	Cabling
USB-i 505	PSU 24VDC	Starter cable 50cm	Link cable 30cm
95380247 <b>27</b>	Various <b>122</b>	95750850	95750830
See pricelist	See pricelist	See pricelist	See pricelist

Outdoor usage  
IP65

RGB

Direct  
DMX

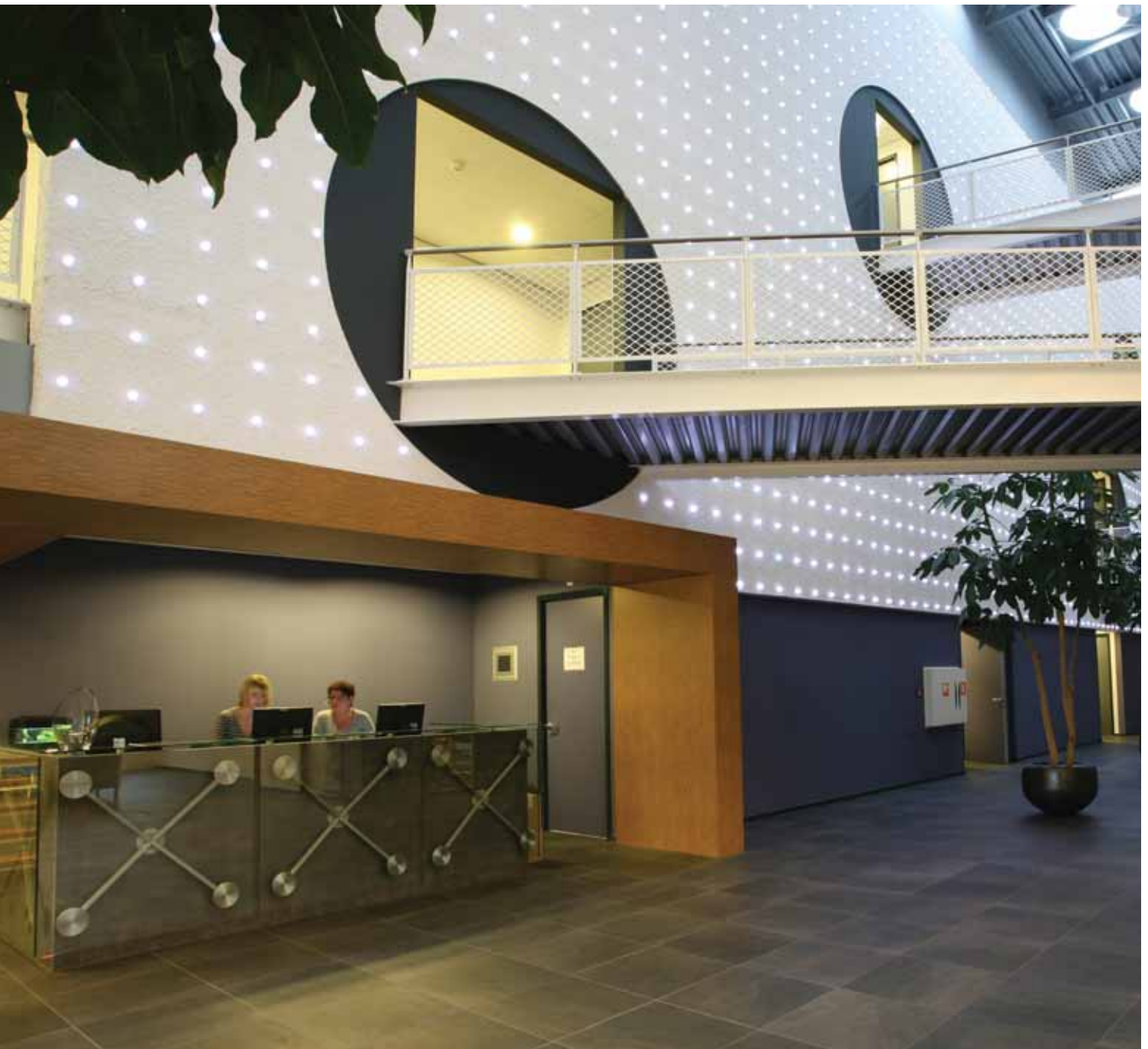


Or any other device that can provide a DMX512 signal

\* For installations that require longer cable lengths please contact your sales representative or calculate this using the product information



Or any other device that can provide a DMX512 signal



Visit [www.lagotronics.com](http://www.lagotronics.com) for additional information about this product.

Flashlight Ampco  
Utrecht, The Netherlands