

# Dot DMX



The DecaLED® Dot DMX is an active, multicoloured, cone-shaped LED light spot, which is used frequently in creating star cloths, star ceilings and wall lighting applications. The DecaLED® Dot DMX is highly suitable for mounting on either the wall or ceiling or for integration into the floor.

The DecaLED® Dot DMX comprises 3 RGB-SMD LEDs and is equipped with a removable housing. The cone, top and underside can all be changed. The DecaLED® Dot DMX has a beam angle of 180° and a power consumption of 1.9W p/s. It measures 78x67x60mm (l x w x h) and must be connected to a 12VDC and direct DMX. A maximum of 30 active DecaLED® Dot DMX systems can be connected to each output on a LagoLED® USB-i 505. The DecaLED® Setup Tool (page 119) can be used to configure the Dot DMX to a DMX start address, or to set it to run one of the 8 standard programs.

Various accessories are available in stock, including starter cables, link cables and a small cone (standard on DecaLED® Dot).

In addition to the active DecaLED® Dot DMX, we also offer a more basic, passive version, the DecaLED® Dot. You can find this product on page 47. A waterproof version of this product, the DecaLED® Dot 6, can be found on page 51.

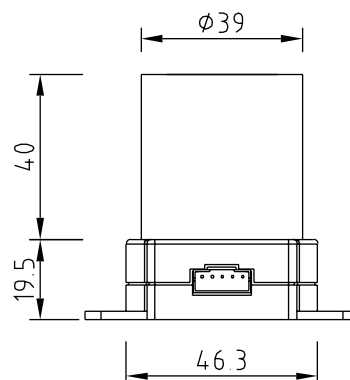
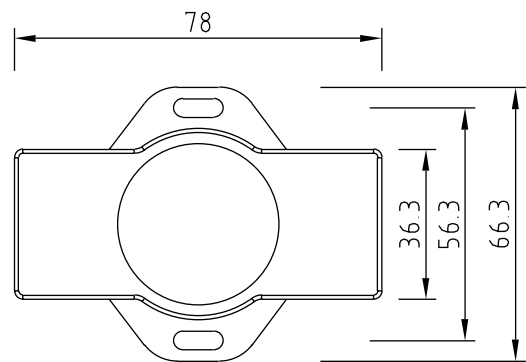
A demo set of this product is available. The demo set comprises both a DecaLED® Dot DMX and a DecaLED® Dot. Please see page 127 of this catalogue.

## DecaLED® Dot DMX

Product specification	
Code	95103249
Description	DecaLED® Dot DMX
Price	See pricelist
Voltage	24VDC
Current	50mA
Power consumption	1.2W
Max. chainable	30 pcs
Current at max. chain	1.5A
Power consumption at max. chain	36W
Control	LagoLED® USB-i 505
Max. per controller	120
Max. per output	30
Housing	UV-resistant polycarbonate
Dimensions	78 x 66 x 60 mm
Weight	50g
LED properties	3 high intensity SMD LEDs
Expected lifespan	50.000 hours
Info	Two optional lenses

## Accessories

Control	Setup Tool	PSU	Cabling
USB-i 505	Setup Tool	PSU 24VDC	Starter cable 50cm
95380247 <b>27</b>	95350247 <b>119</b>	Various <b>122</b>	95750305
See pricelist	See pricelist	See pricelist	See pricelist
Cabling	Cabling	Cabling	Cabling
Starter cable 1m	Starter cable 3m	Starter cable 5m	Link cable 50cm
95750310	95750330	95750350	95750150
See pricelist	See pricelist	See pricelist	See pricelist
Cabling	Cone		
Link cable 200cm	Dot Cone small		
95750200	95750199		
See pricelist	See pricelist		

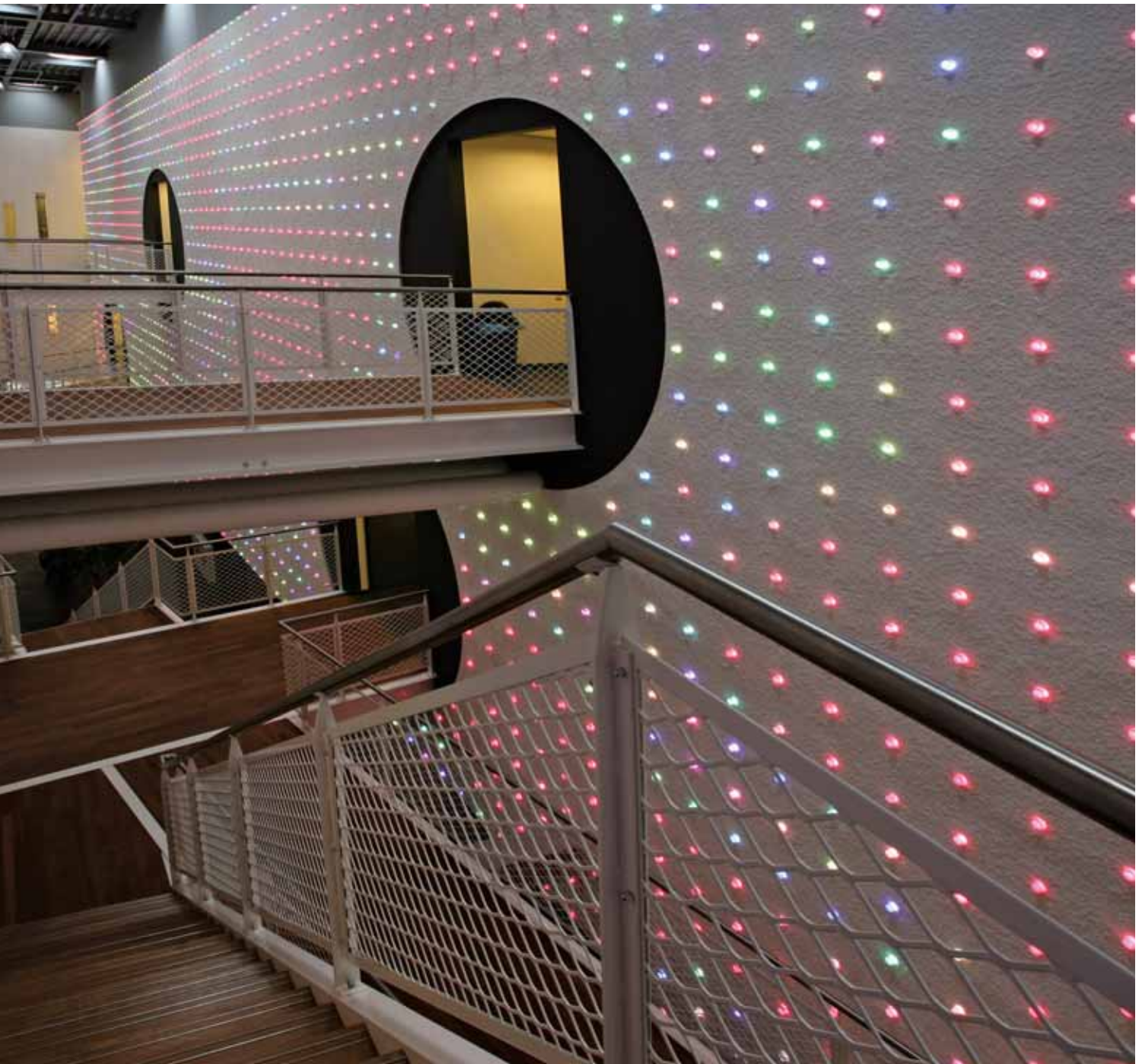
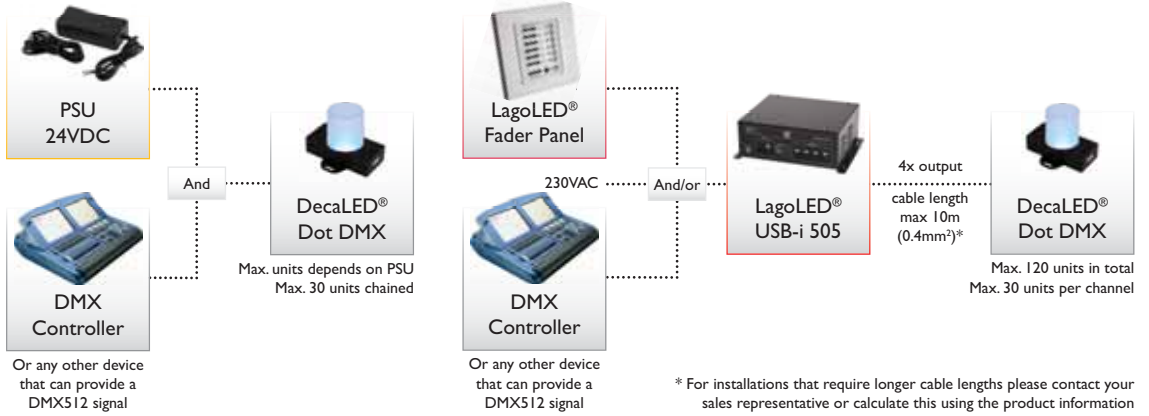


Indoor usage

RGB

Direct DMX

Demo set page 127



Visit [www.lagotronics.com](http://www.lagotronics.com) for additional information about this product.

FlashLight Ampco  
Utrecht, The Netherlands