



Driver TV for RGB Modules



The DecaLED® Driver TV for RGB Modules was designed to facilitate control of DecaLED® RGB Modules. The Driver is ideal for application in small, closed rooms and can only be used in combination with a separate 24VDC power supply unit.

The DecaLED® Driver TV for RGB modules is a small driver which does not have its own power supply unit, which can be used to control DecaLED® RGB Modules. The DecaLED® Driver TV for RGB modules has 24 separate channels and is suitable for controlling 50 DecaLED® RGB Modules per output. A total of 200 RGB Modules can be connected to the output of the DecaLED® Driver TV for RGB Modules. The driver measures 147 x 115 x 40 mm and must be connected to a supply voltage of 24VDC. The DecaLED® Driver TV for RGB Modules must be programmed using the DecaLED® Setup Tool. You can use the Setup Tool to program the Driver to a DMX start address, or to run one of the 10 standard programs. The intensity and speed of these programs can be adjusted.

Various accessories are available for the DecaLED® Driver TV for RGB Modules, including starter cables, 24VDC power supplies and the DecaLED® Setup Tool.

The DecaLED® Controller I was developed as an integrated solution with a power supply unit and driver. This can control the same number of RGB Modules and can be found on page 103.

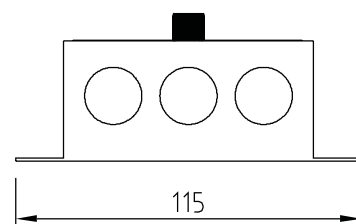
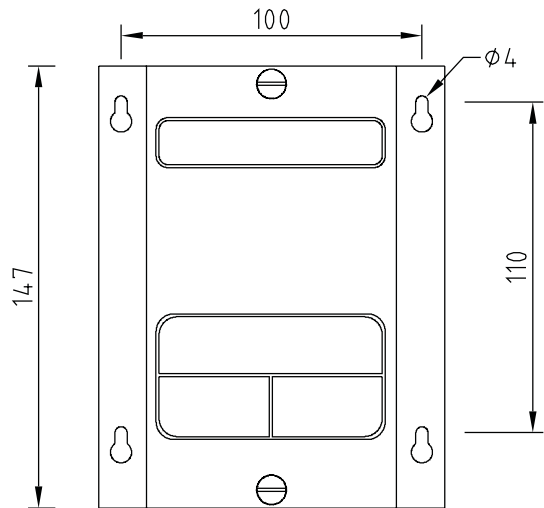
DecaLED® Driver TV for RGB Modules

Product specification

Code	95350242
Description	DecaLED® Driver TV for RGB Modules
Price	See pricelist
Voltage	24VDC
Current	Total 12.5A, max 3A per output
Power consumption	300W
Connection	8 outputs, max 24 channels
Dimensions	147 x 115 x 40 mm
Weight	0.5kg
Info	Including 8 50cm starter cables

Accessories

Setup Tool	PSU	Cabling	Cabling
Setup Tool	24VDC PSU	Link cable 10cm	Link cable 15cm
95350247 119	Various 122	95750300	95750302
See pricelist	See pricelist	See pricelist	See pricelist
Cabling	Cabling	Cabling	Cabling
Link cable 50cm	Link cable 1m	Link cable 3m	Link cable 10m
95750303	95750304	95750306	95750399
See pricelist	See pricelist	See pricelist	See pricelist
Cabling	Cabling	Cabling	Cabling
Starter cable 50cm	Starter cable 1m	Starter cable 3m	Starter cable 5m
95750305	95750310	95750330	95750350
See pricelist	See pricelist	See pricelist	See pricelist



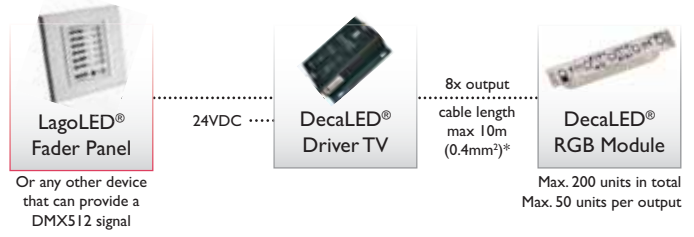
Indoor usage

tv-proof

Stand alone

Direct DMX512

DecaLED® lighting products



* For installations that require longer cable lengths please contact your sales representative or calculate this using the product information



Visit www.lagotronics.com for additional information about this product.

Orange shop
Rotterdam, The Netherlands