



# Rebel Par

## Waterproof IP65



The DecaLED® Rebel Par is designed for multicoloured, professional applications in theatres, event halls, studios and permanent, maintenance-free installations. The DecaLED® Rebel Par is also suitable for outdoor applications.

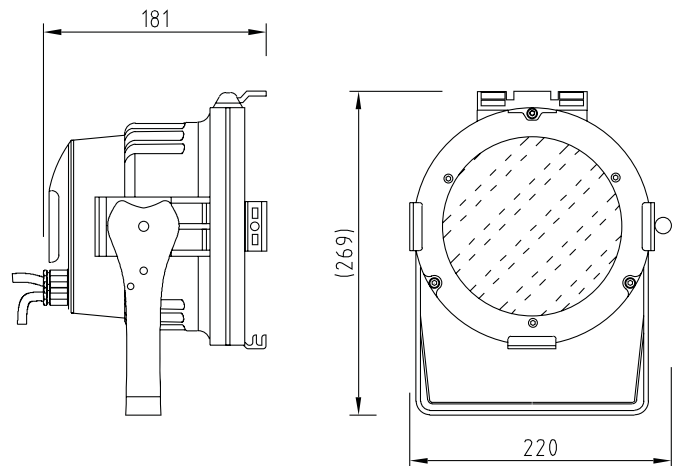
The DecaLED® Rebel Par is equipped with thirty-six 1W Rebel LEDs, which are integrated into a waterproof (IP65) housing. The Rebel LEDs are equipped with 25° lenses, guaranteeing a homogeneous glow. The DecaLED® Rebel Par must be connected to a 230VAC and DMX input. The power consumption is 50W when at full capacity. The DecaLED® Rebel Par is equipped with a display on the rear, which enables you to easily configure a DMX start address.

The connection cable has a length of 2 metres and has a European plug. No accessories are available for the DecaLED® Rebel Par.

### DecaLED® Rebel Par

#### Product specification

Code	95120939
Description	DecaLED® Rebel Par RGB
Price	See pricelist
Voltage	100-240VAC
Current	0.3A
Power consumption	50W
Connection	XLR3 and European plug
Control	230V and DMX-512
LED properties	36 x 1W Rebel LEDs (12 x R, 12 x G, 12 x B)
Beam angle	25°
Colour range	RGB
Housing	Powder coated, cast aluminium
Operating temperature	-10°C to +50°C
Ambient temperature	-20°C to +70°C
Dimensions	181 x 220(269 inc. handle) mm
Weight	5kg
Certification	CE



Waterproof IP65

Stand alone

Direct DMX512

TV Proof



230VAC



Or any other device that can provide a DMX512 signal



Visit [www.lagotronics.com](http://www.lagotronics.com) for additional information about this product.

**Sterrenjacht**  
The Netherlands