



Setup Tool



The DecaLED® Setup Tool is a programming tool for a variety of DecaLED® products. The DecaLED® Setup Tool is required for, amongst other things, installing and programming DMX start addresses and standard programs in LED products.

The DecaLED® Setup Tool can be used to assign to the products indicated below a DMX start address or one of the 8 or 10 standard programs that are stored in the LED product. The DecaLED® Setup Tool can be used to set an RGB product to a static colour and to program this into the LED product as the set colour. When using DecaLED® Controllers, the DecaLED® Setup Tool is only required if the electronics installer wishes to assign a fixed DMX channel to the controller. A DIP switch on the controller allows you to activate the DecaLED® Setup Tool option. After doing this, the DMX setting of the DIP switches no longer applies and only the setting input by the DecaLED® Setup Tool is effective.

The DecaLED® Setup Tool is also able to function as a DMX tester and to control the controller channel by channel. The DecaLED® Setup Tool is therefore a valuable instrument for controlling your LED installation.

DecaLED® Setup Tool

Product specification

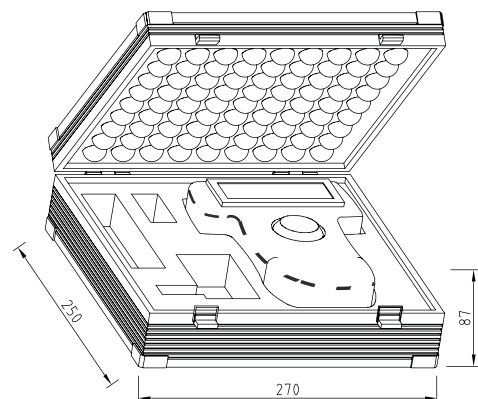
Code	95350247
Description	DecaLED® Setup Tool
Price	See pricelist
Dimensions	27x27x9cm (complete flightcase)

Package contents

- DecaLED® Setup Tool with built-in batteries
- PSU
- Connection cables
- Flightcase

The DecaLED® Setup Tool is suitable for programming DMX start addresses and standard programs in the following LED products and controllers:

- DecaLED® Dot DMX
- DecaLED® Dot 42
- DecaLED® Color Bar 36
- DecaLED® Color Wash 36
- DecaLED® Driver TV for RGB Modules
- DecaLED® Driver TV 12/24
- DecaLED® Controller 1
- DecaLED® Controller 2
- DecaLED® Controller 2 Mini
- DecaLED® Controller 3
- DecaLED® Controller 3 Mini
- DecaLED® Controller 4



Indoor usage

Stand alone

Controller 1
 Controller 2
 Controller 2 Mini
 Controller 3
 Controller 3 Mini
 Controller 4



Visit www.lagotronics.com for additional information about this product.

Scelta Institute
Venlo, The Netherlands