

BEAM.111



The LagoLED® BEAM.111 is an LED replacement bulb for conventional AR111 light sources and is highly suitable for lighting public areas, shop windows, pillars and places that are difficult to reach.

The LagoLED® BEAM.111 comprises 15 Luxeon 1W LEDs and, in addition to offering the user a powerful, homogeneous light, also offers reliability, quality and a long service life. The LagoLED® BEAM.111 can be used as a replacement light source for 12VAC Halostar AR111 light sources in maintenance-free areas. The LagoLED® BEAM.111 comprises 10° LEDs and has an energy consumption of 18W. Lagotronics advises not to use these LED replacement bulbs within enclosed fixtures as to minimise the risk of overheating and guarantee their lifespan.

No accessories are supplied with the LagoLED® BEAM.111. We do however offer a wide range of fixtures in the International LightACTS product line, which are suitable for use in both indoor and outdoor applications.

The LagoLED® BEAM.111 comes in a range of colours, including red, green, blue, amber, cool white, cyan, warm white and deep blue.

LagoLED® BEAM.111

Product specification

			
BEAM.111 red	BEAM.111 green	BEAM.111 blue	BEAM.111 amber
95102121	95102122	95102123	95102124
See pricelist	See pricelist	See pricelist	See pricelist
			
BEAM.111 cool white	BEAM.111 deep blue	BEAM.111 cyan	BEAM.111 warm white
95102125	95102126	95102127	95102128
See pricelist	See pricelist	See pricelist	See pricelist

Voltage	12VAC - DC
Current	1.2A
Power consumption	14W
Controller type	Transformer (not dimmable)
Max. per controller	Depends on transformer
Max. per output	
LED properties	15 x 1W Luxeon LEDs
Light intensity	cool white: 8000K, warm white: 4000K
Beam angle	10°
Dimensions	111 x 62 mm
Weight	300g
Certification	CE

Accessories

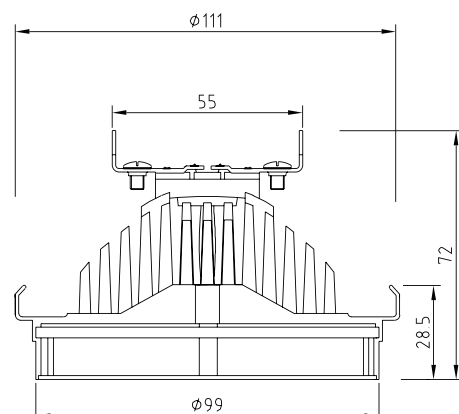
Transformer



12VAC

Various

See pricelist

Indoor
usageSingle
colour

LagoLED® lighting products

230VAC



cable length
max 10m
(0,4mm²)*



Depends on
transformer

* For installations that require longer cable lengths please contact your sales representative or calculate this using the product information



Visit www.lagotronics.com for additional information about this product.

Cadac
Heerlen, The Netherlands