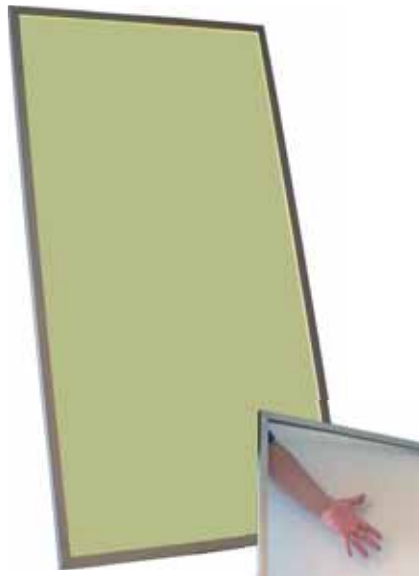


DEKO Panel



LagoLED® DEKO Panels are synthetic, acrylic panels that are lit using LagoLED® RGB Strips. These cause the entire panel to change colour, making it suitable for neon signs, mood lighting, indirect lighting and special effects lighting.

Depending on the LagoLED® DEKO Panel that you choose, the LagoLED® DEKO Panels can be equipped with high-quality LagoLED® LED lighting on 1, 2 or 4 sides. The DEKO Panels come in a range of 4 standard measurements, yet subject to request, can be produced in any form that you require. This means that the panels can be custom manufactured. We can also produce curved panels. This page provides all of the connection data for the standard panels. In the case of custom design products, your contact person will calculate the number of connections and DecaLED® 3, 3 Mini or 4 Controllers that you require.

A range of accessories are available for the LagoLED® DEKO Panels. It is possible for instance to equip your panel with heavy-duty Neutrik XLR connectors and the corresponding PUR extension cables. The XLR option is often used by hire companies and guarantees a solid connection in the case of repeat installation. Further options include the possibility of having your panel printed with a DOT or Stoch matrix, or having the transparent side printed or engraved with a logo or text inscription.

Lagotronics supplies the panels in the following standard sizes: 300x300, 450x450, 600x600 and 1200x600 mm. If you require a different size for your project, please consult your contact person. The maximum dimensions for LagoLED® DEKO Panels are 3000x1500 mm. We advise against exceeding 1000mm width however, due to loss of light within the panel.

A demo set of this product is available. Please see page 123 for further information.

LagoLED® DEKO Panel Specification

Code	95603300	95603450	95603600	95603610
Description	LagoLED® DEKO Panel 33x33	LagoLED® DEKO Panel 48x48	LagoLED® DEKO Panel 63x63	LagoLED® DEKO Panel 123x63
Price	See pricelist	See pricelist	See pricelist	See pricelist
Voltage	24VDC	24VDC	24VDC	24VDC
Current	300mA	900mA	1.2A	2.4A
Power cons.	7.2W	21.6W	28.8W	57.6W
Control	DecaLED® Controller 3 Controller 3 Mini Controller 4	DecaLED® Controller 3 Controller 3 Mini Controller 4	DecaLED® Controller 3 Controller 3 Mini Controller 4	DecaLED® Controller 3 Controller 3 Mini Controller 4
Max. aantal	40 / 10 / 20	24 / 4 / 6	10 / 3 / 4	5 / 1 / 2
Max. per output	10 / 10 / 10	3 / 3 / 3	2 / 2 / 2	1 / 1 / 1
LED properties	LagoLED® RGB Strips	LagoLED® RGB Strips	LagoLED® RGB Strips	LagoLED® RGB Strips
Dimensions	336x336x23mm	486x486x23mm	636x636x23mm	1236x636x23mm
Weight	1500g	3300g	5500g	10000g

Print options:



Engraving



Dot matrix

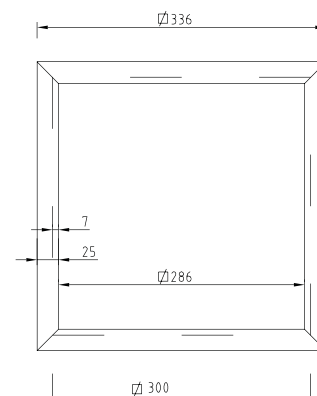


Stoch

Accessories

Control	Control	Control	Control
Controller 3 95350244 109	Controller 3 Mini 95350246 111	Controller 4 95350245 113	XLR-6 pin conv. set 95740502
See pricelist	See pricelist	See pricelist	See pricelist

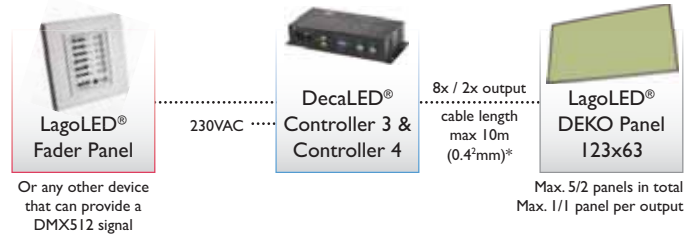
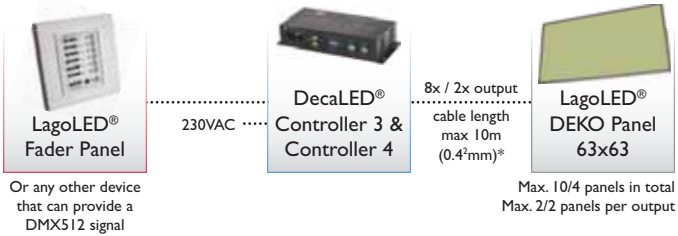
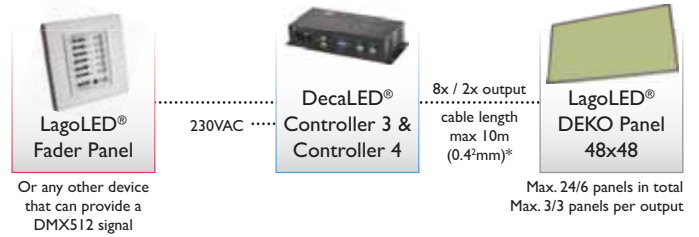
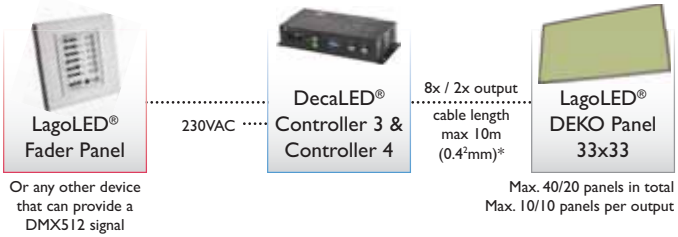
Cabling	Cabling	Cabling
2.5m, incl. XLR-6 conn. 95740310	5m, incl. XLR-6 conn. 95740320	10m, incl. XLR-6 conn. 95740330
See pricelist	See pricelist	See pricelist

Indoor
usage

RGB

Demo set
page 123

LagoLED® lighting products



* For installations that require longer cable lengths please contact your sales representative or calculate this using the product information



Visit www.lagotronics.com for additional information about this product.

Maasbrug
Venlo, The Netherlands