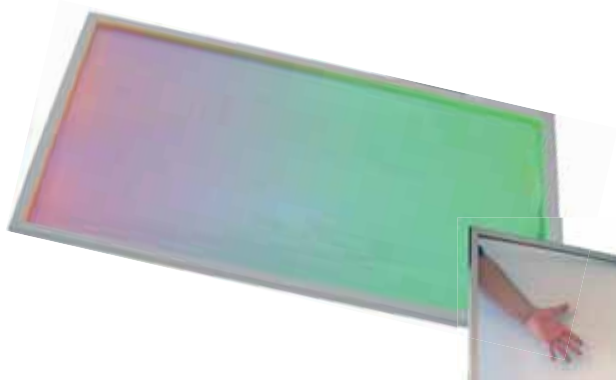


## DMX-i DEKO Panel

LagoLED® DMX-i DEKO Panel  
Product specification

Code	95680300	95680600	95680610	95680900
Description	LagoLED® DMX-i panel	LagoLED® DMX-i panel	LagoLED® DMX-i panel	LagoLED® DMX-i panel
Price	See pricelist	See pricelist	See pricelist	See pricelist
Voltage	24VDC	24VDC	24VDC	24VDC
Current	350mA	1.4A	2.8A	2.1A
Power consumption	8.4W	33.6W	67.2W	50.4W
Control	USB-i 505	USB-i 505	USB-i 505	USB-i 505
Max. per controller	32	8	4	4
Max. per output	8	2	1	1
Max. per PSU 24V 80W	8	2	1	1
Max. per PSU 24V 300W	32	8	4	5
LED properties	Uses DMX-i Strips	Uses DMX-i Strips	Uses DMX-i Strips	Uses DMX-i Strips
Dimensions	336x336x23mm	636x636x23mm	1236x636x23mm	936x936x23mm
Weight	1600g	5500g	10000g	7000g

## Accessories

Control	Control	Control	Control
USB-i 505	PT-i 500	IF-i 500	LC-i 500
95380247 27	95321246 28	95381245 28	95380245 27
See pricelist	See pricelist	See pricelist	See pricelist

Control	PSU	Connector
RC-i 500	PSU 24VDC	XLR-4 pin aansluitset
95780800 27	Various 122	95780502
See pricelist		See pricelist

Cabling	Cabling	Cabling
3m, incl. XLR-4 conn.	5m, incl. XLR-4 conn.	10m, incl. XLR-4 conn.
95780313	95780320	95780330
See pricelist	See pricelist	See pricelist

LagoLED® DMX-i DEKO Panels are synthetic, acrylic panels that are lit using LagoLED® DMX-i RGB Strips. The entire panel can change colour in sections of 15 or 30 cm and can be used for neon signs, mood lighting, indirect lighting and special effects lighting.

Depending on the LagoLED® DMX-i DEKO Panel that you choose, the LagoLED® DMX-i DEKO Panels can be equipped with high-quality LagoLED® LED lighting on 1, 2 or 4 sides. LagoLED® DMX-i DEKO Panels are distinguishable from regular LagoLED® DEKO Panels in that they are able to display several colours in the same panel as a result of the addition of LagoLED® DMX-i RGB Strips. LagoLED® DMX-i DEKO Panels come in a range of 4 standard sizes, yet subject to request can be produced in virtually any form that you require. This means that the panels can be custom manufactured, including in curved forms. This page provides all of the connection data for the standard panels. In the case of custom manufactured panels, your contact person will calculate the required number of connections and LagoLED® USB-i 505 controllers.

A range of accessories are available for the LagoLED® DEKO Panels. It is possible for instance to equip your panel with heavy-duty Neutrik XLR connectors and the corresponding PUR extension cables. The XLR option is often used by hire companies and guarantees a solid connection in the case of repeat installation. Further options include the possibility of having your panel printed with a DOT or Stoch matrix, or having the transparent side printed or engraved with a logo or text inscription.

Lagotronics supplies the panels in the following standard sizes: 300x300, 450x450, 600x600 and 1200x600 mm. If you require a different size for your project, please consult your contact person. The maximum dimensions for LagoLED® DEKO Panels are 3000x1500 mm. We advise against exceeding 1000mm width however, due to loss of light within the panel.

A demo set of this product is available. Please see page 124 for further information.

## Print options:



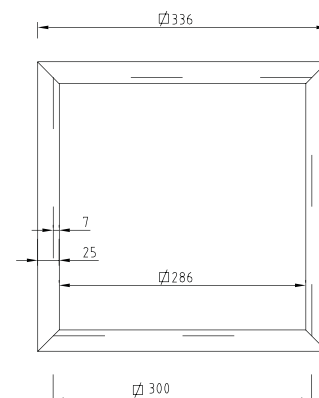
Engraving



Dot matrix

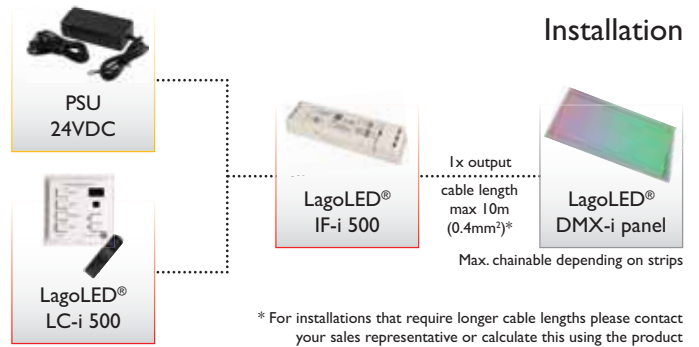
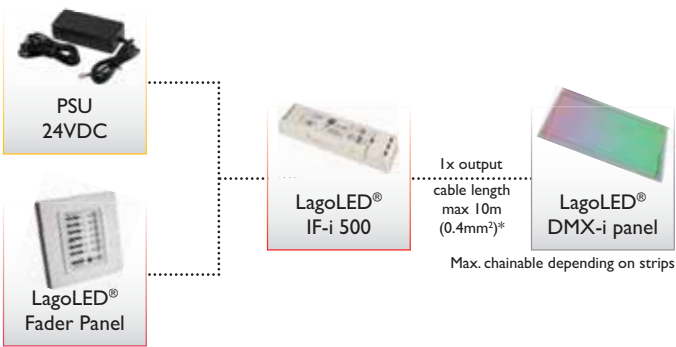
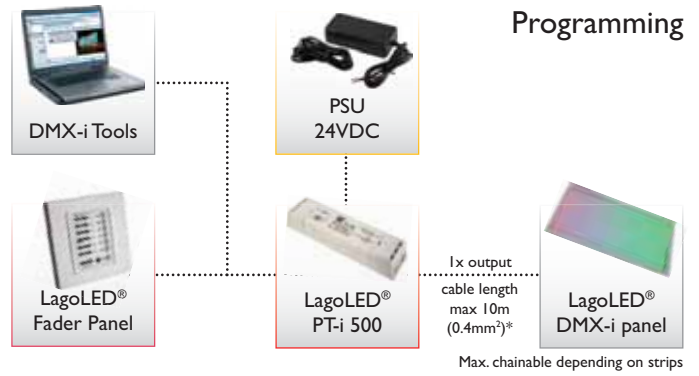
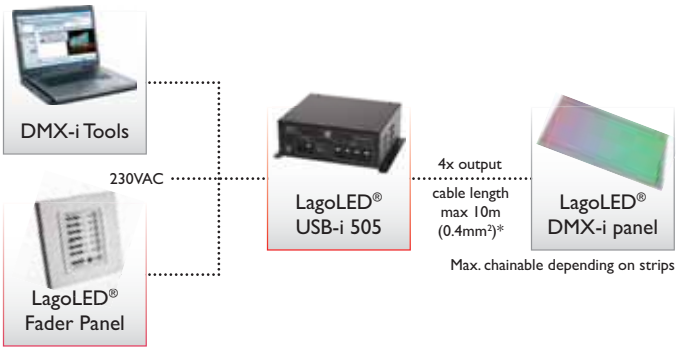


Stoch

Indoor  
usage

RGB

Direct  
DMXDemo set  
page 124



\* For installations that require longer cable lengths please contact your sales representative or calculate this using the product information



Visit [www.lagotronics.com](http://www.lagotronics.com) for additional information about this product.

Onboard  
Utrecht, The Netherlands